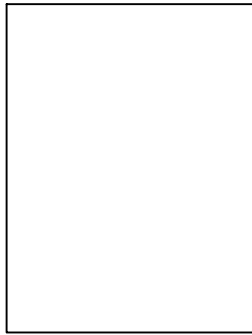


ANALOG SWITCHES



Analog Switches

AUX



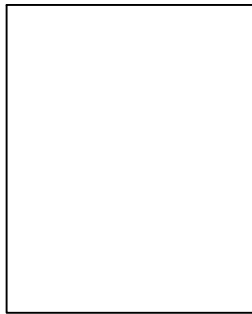
misc

ONESHOT



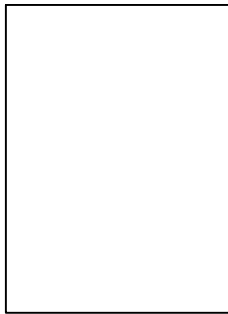
oneshot

PATGEN



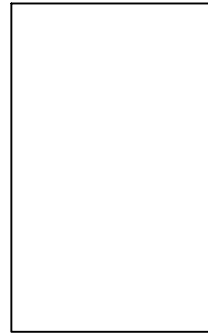
pattern Generator

SEQUENTIALSWITCH

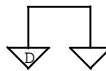


SequentialSwitch

TRANSPOSER



transposer



Title		
<b>MIKADO ANALOG SEQUENCER-BOARD 3</b>		
Size	Document Number	Rev
A	<b>100-1014</b>	A
Date:	Sunday, April 21, 2002	Sheet 1 of 8

D

C

B

A

D

C

B

A

5

4

3

2

1

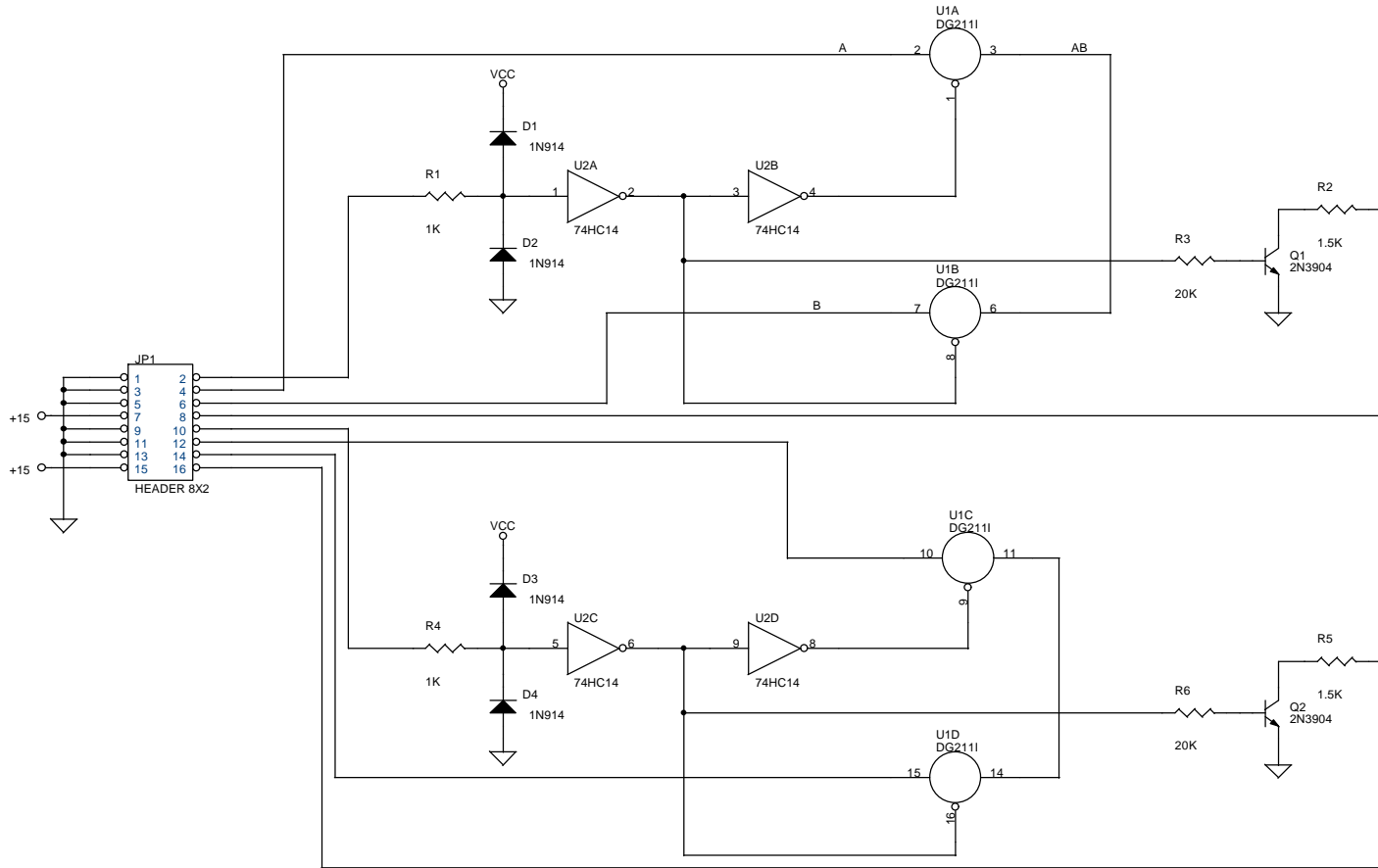
5

4

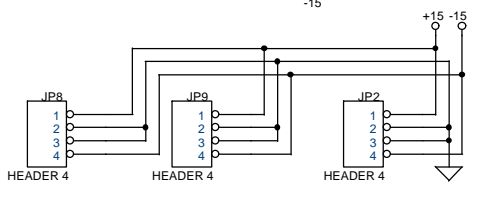
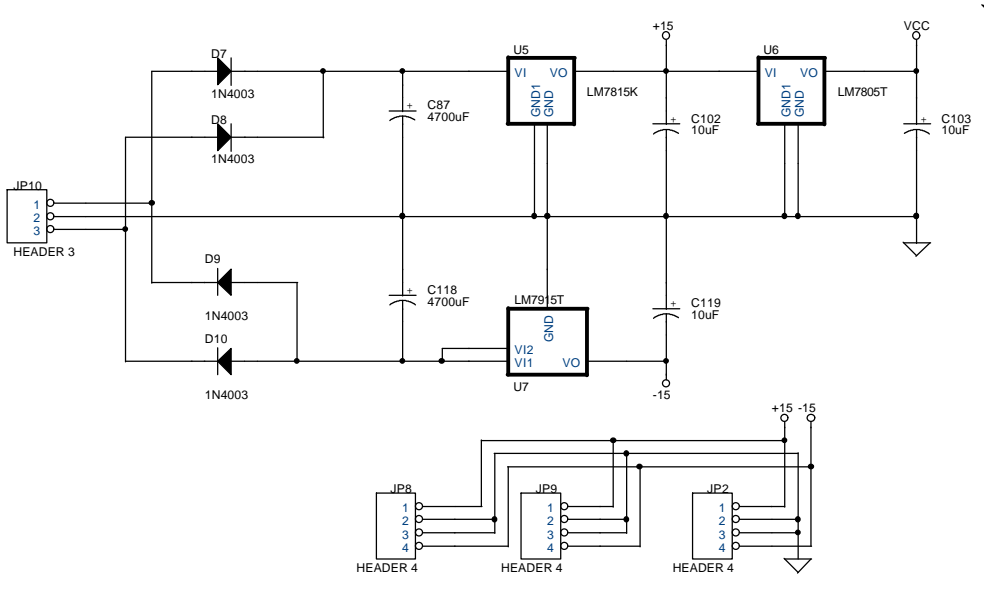
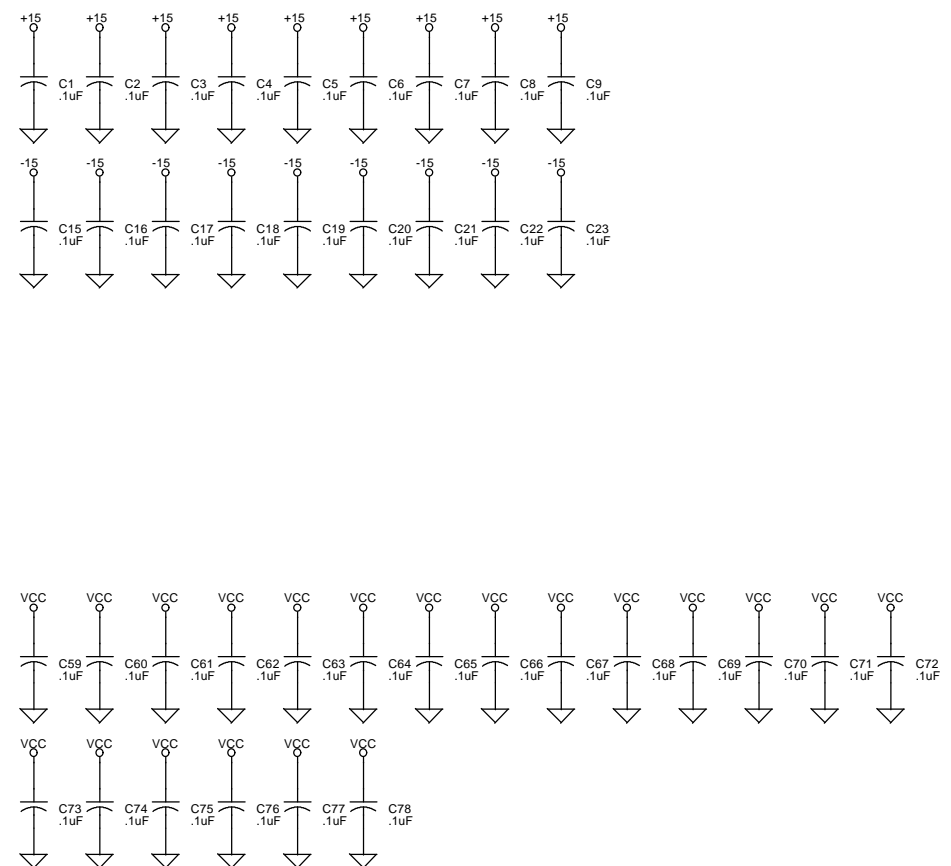
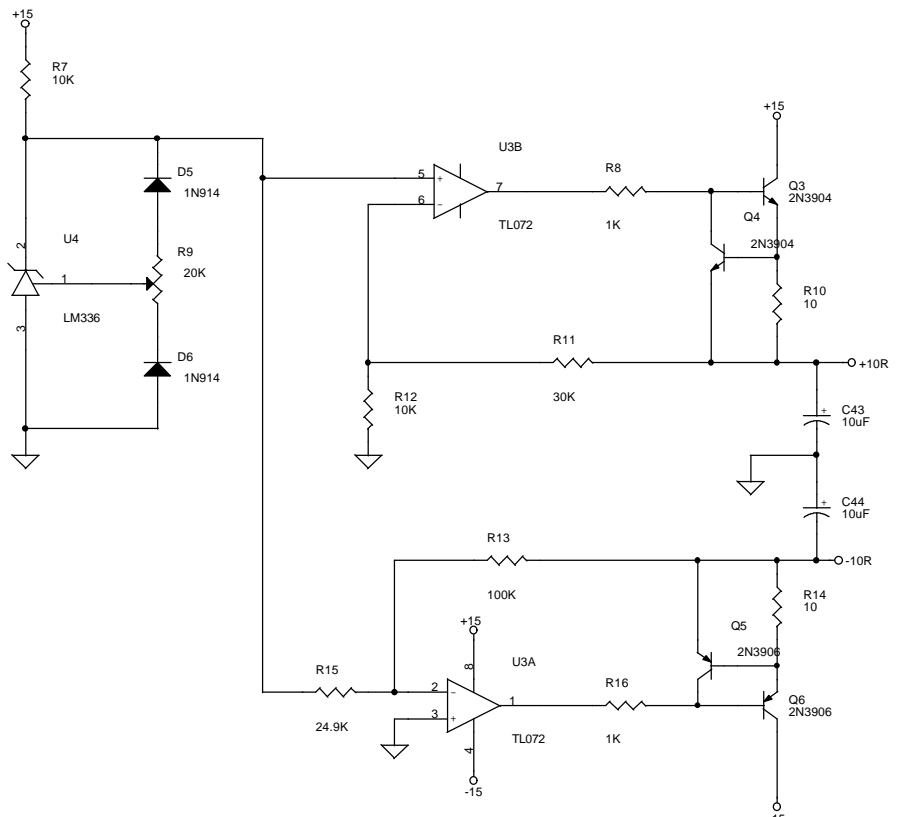
3

2

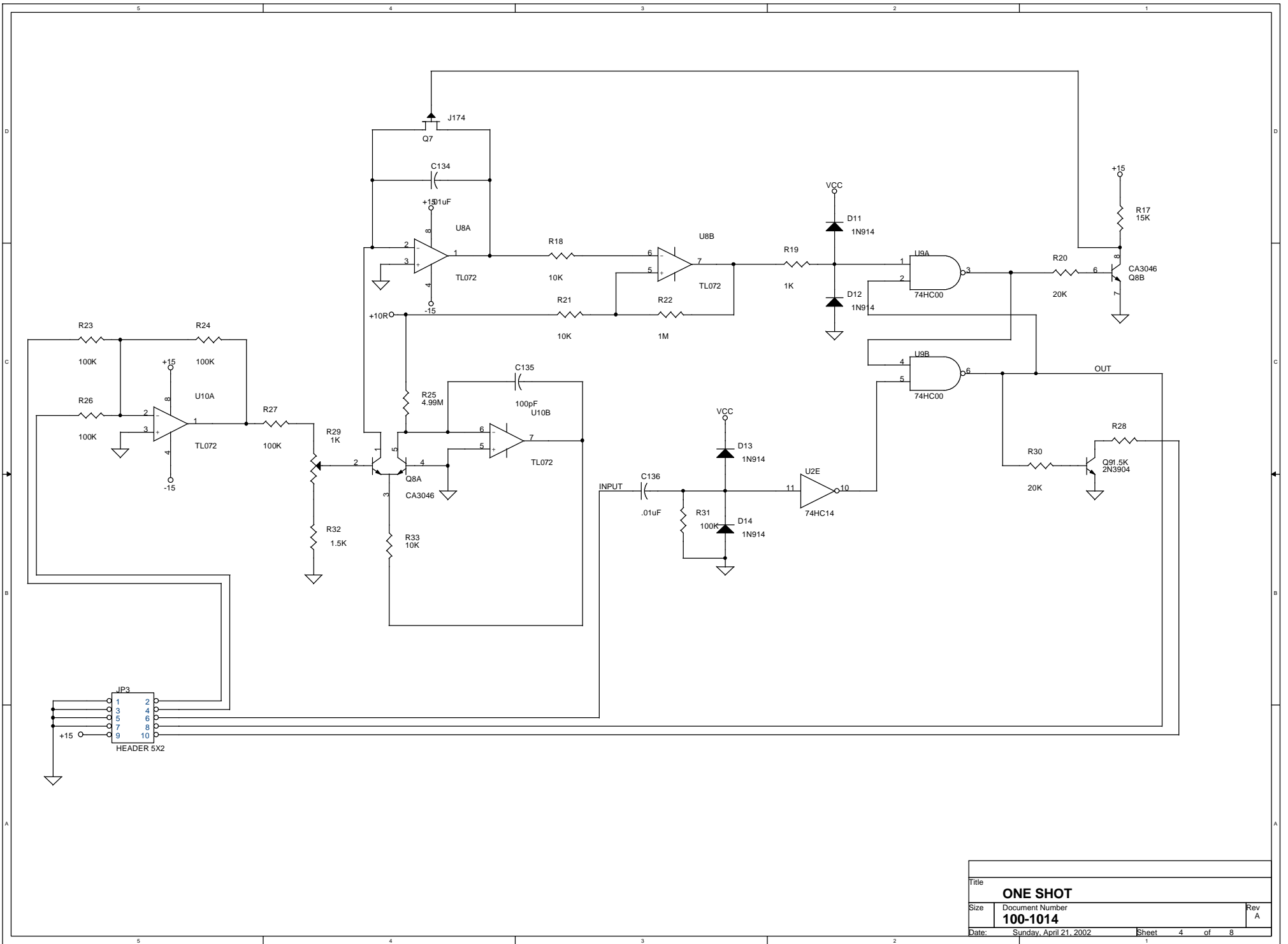
1



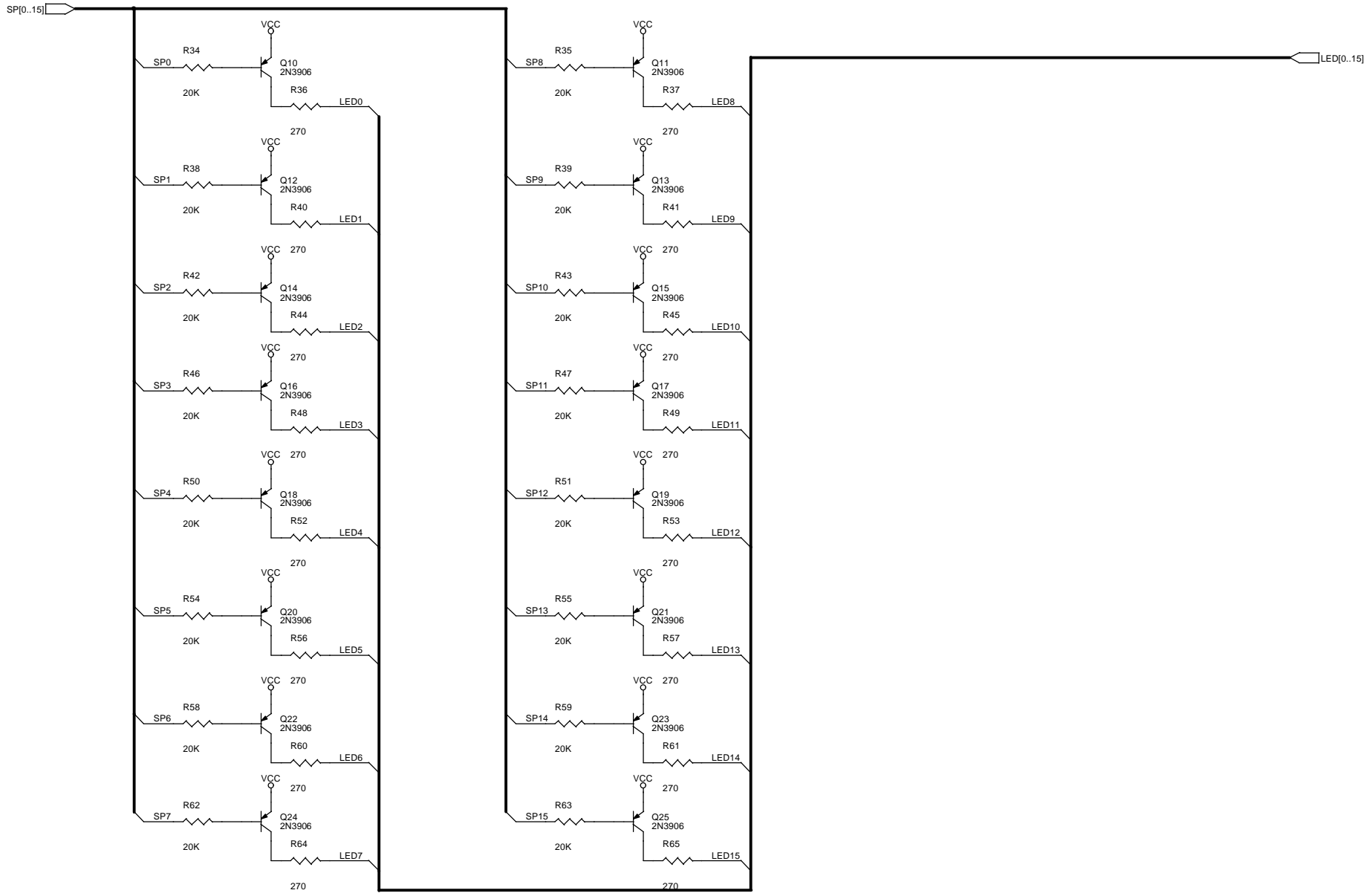
Title		
<b>ANALOG SWITCHES</b>		
Size	Document Number	Rev
	<b>100-1014</b>	<b>A</b>
Date:	Sunday, April 21, 2002	Sheet 2 of 8



Title		
<b>POWER SUPPLY/REFERENCES</b>		
Size	Document Number	Rev
	<b>100-1014</b>	<b>A</b>
Date:	Sunday, April 21, 2002	Sheet 3 of 8

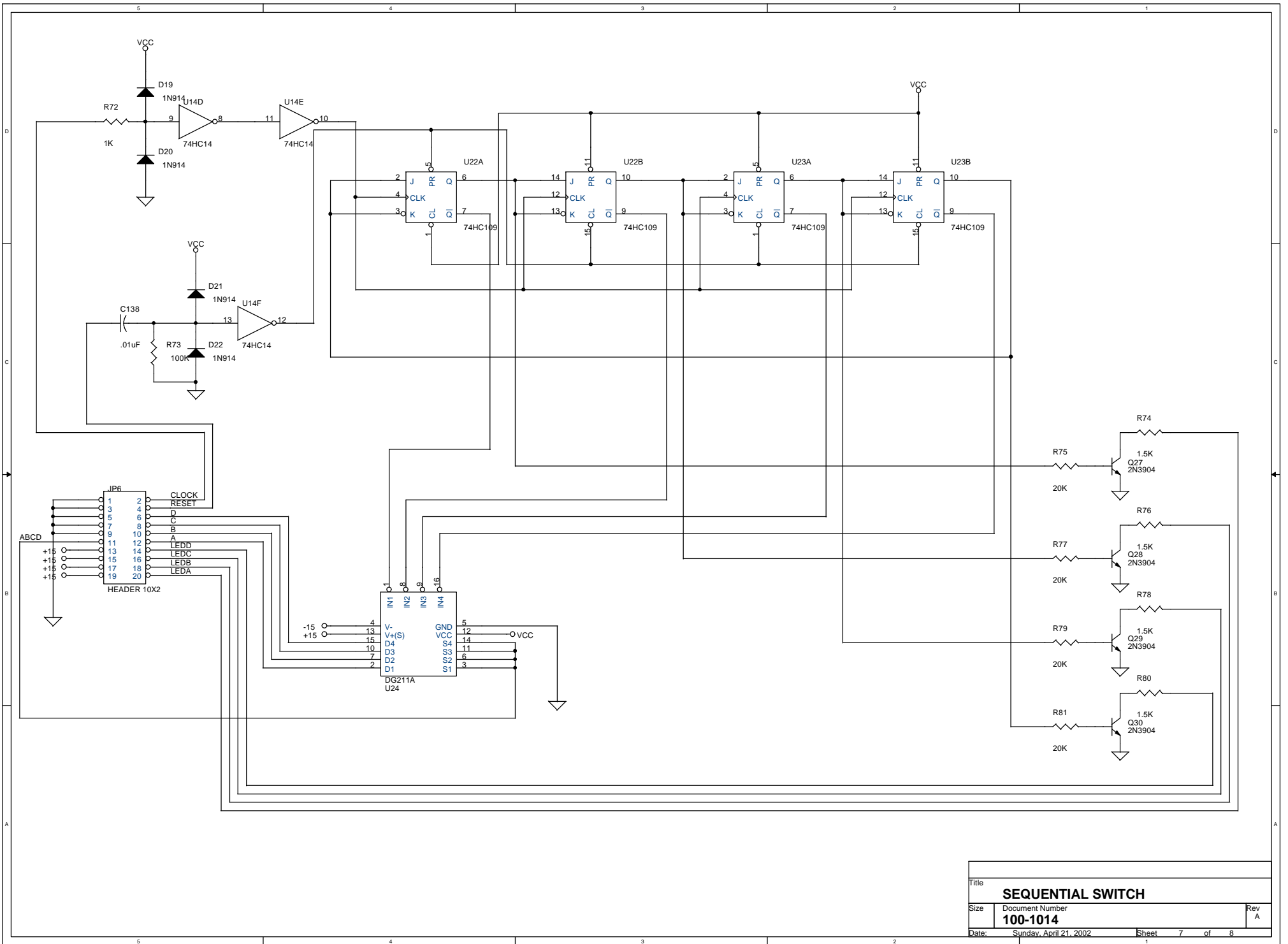


Title		
<b>ONE SHOT</b>		
Size	Document Number	Rev
	<b>100-1014</b>	A
Date:	Sunday, April 21, 2002	Sheet 4 of 8

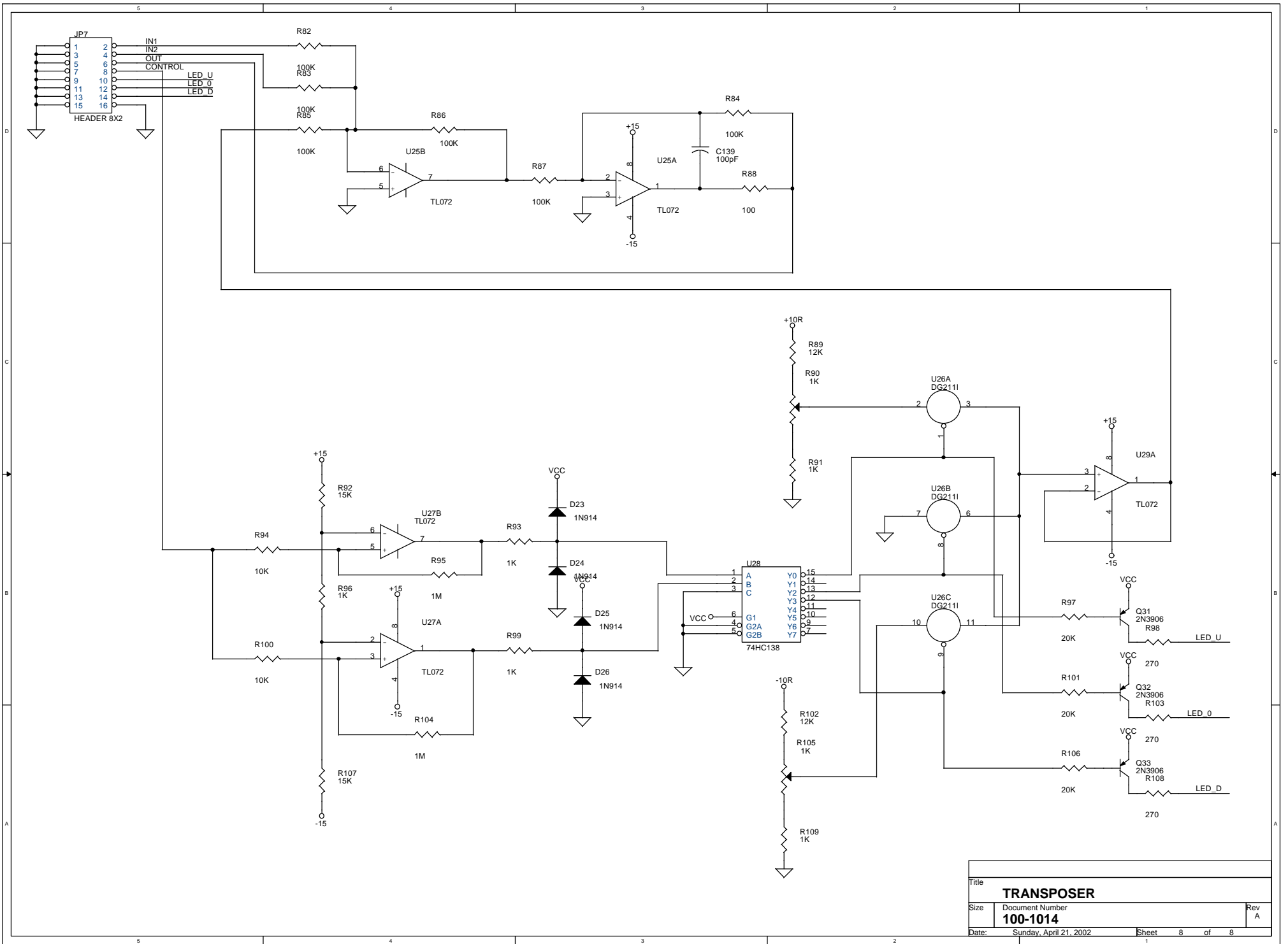


Title		
<b>PATTERN GENERATOR LED DRIVER</b>		
Size	Document Number	Rev
	<b>100-1014</b>	<b>A</b>
Date:	Sunday, April 21, 2002	Sheet 5 of 8





Title		
<b>SEQUENTIAL SWITCH</b>		
Size	Document Number	Rev
	<b>100-1014</b>	A
Date:	Sunday, April 21, 2002	Sheet 7 of 8



Title		
<b>TRANSPOSER</b>		
Size	Document Number	Rev
	<b>100-1014</b>	A
Date:	Sunday, April 21, 2002	Sheet 8 of 8