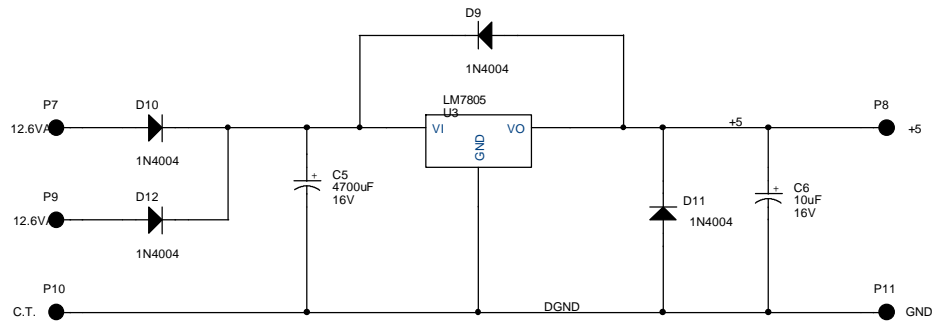
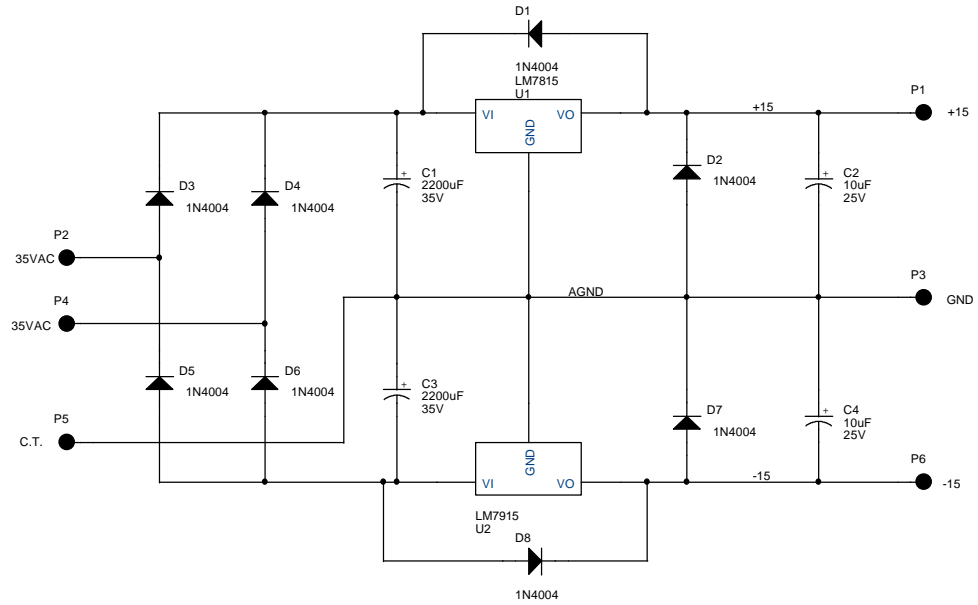


Recommended Transformers are as follows:
 For +/- 15 volt power supply 35VCT to 40VCT. The 35VCT winding is probably the best as this keeps the heat down.
 I have also used a transformer that had two 18VAC winding That I hooked in Series to make 36VCT.
 For the 5 volt supply 12.6VCT to 18VCT is the recommended range. If you use a 12.6VCT transformer, you may want to increase the filter cap from 4700uF to 10,000uF.



Drawn by Jim Patchell			
Title Power Supply Board			
Size	Document Number (Doc)	Rev	NC
Date:	Sunday, March 28, 1999	Sheet	1 of 1